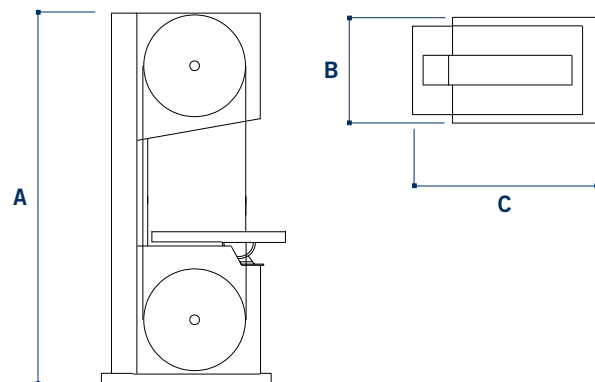


band saws

Professional band saws, sturdy and extremely precise, for woodworking shops and craftsmen.

formula s 440p
formula s 540p
formula s 640p
formula s 740p
formula s 840p
formula s 940p



	s 440p	s 540p	s 640p	s 740p	s 840p	s 940p
A mm	1940	2100	2340	2395	2625	2860
B mm	420	520	600	710	800	800
C mm	805	940	1145	1265	1485	1590

formula		s 440p	s 540p	s 640p	s 740p	s 840p	s 940p
Work table dimensions	mm	420x578	520x720	600x885	710x1000	800x1160	800x1250
Cast iron saw wheels diameter	mm	440	540	640	740	840	940
Saw wheels width	mm	33	38	38	40	45	54
Max. cutting height	mm	440 (18")	500 (20")	600 (24")	450 (18")	540 (21")	560 (22")
Max. cutting width	mm	425	520	620	720	820	910
Work table tilting (CE)	mm	0° ÷ 45° (20°)	0° ÷ 45° (20°)	0° ÷ 45° (20°)	0° ÷ 45° (20°)	0° ÷ 45° (20°)	0° ÷ 45° (20°)
Min./max. blade dimensions	mm	6/30	6/35	8/35	10/40	10/45	12/50
Standard three-phase motor power S1 400 V 50 Hz	kW (Hp)	2,2 (3)	2,2 (3)	3 (4)	4 (5,5)	5,5 (7,5)	7,5 (10)
Standard three-phase motor power S1 220 V 60 Hz	kW (Hp)	3,6 (4,8)	3,6 (4,8)	3,6 (4,8)	5 (6,6)	6,7 (9)	6,7 (9)
Standard single-phase motor power S1 220 V 60 Hz	kW (Hp)	3,6 (4,8)	3,6 (4,8)	3,6 (4,8)	-	-	-
Exhaust outlets diameter	mm	2 x 120	2 x 120	2 x 120	2 x 120	2 x 140	2 x 140

band
saws
operating
groups



Perfect results

Blade guide

A perfect cut result is assured by the top and bottom high precision blade guides. Practical machines suitable also to perform straight and tilted cuts on wood, plastic and aluminum.



Safety first

Protections

Total safety machining with telescopic protections with rackwork to the blade.



Solidity and sturdiness

Cast iron saw wheels

Very thick, cast iron wheels, as well as the work table, running on sealed for life ball bearings.