

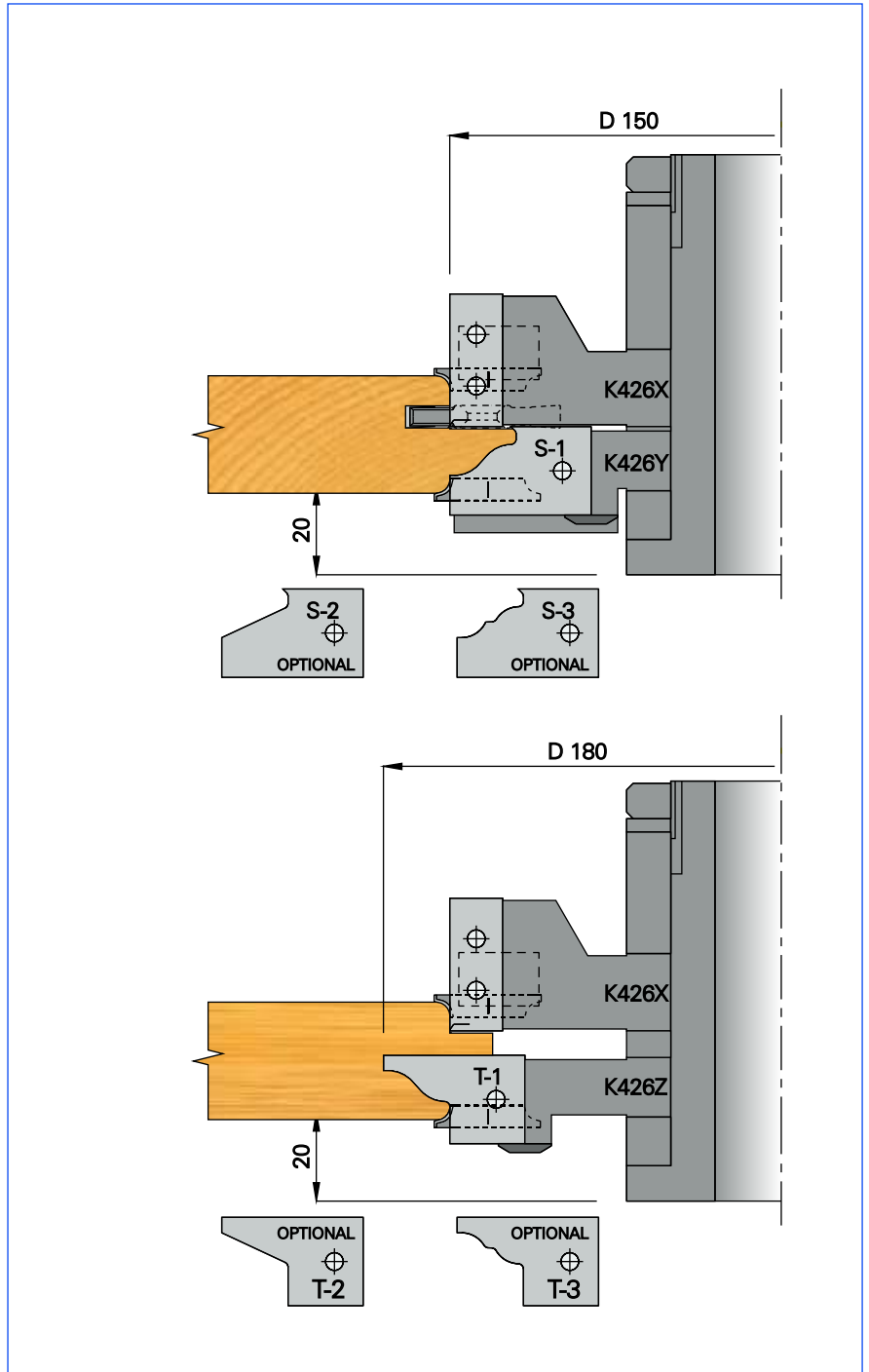
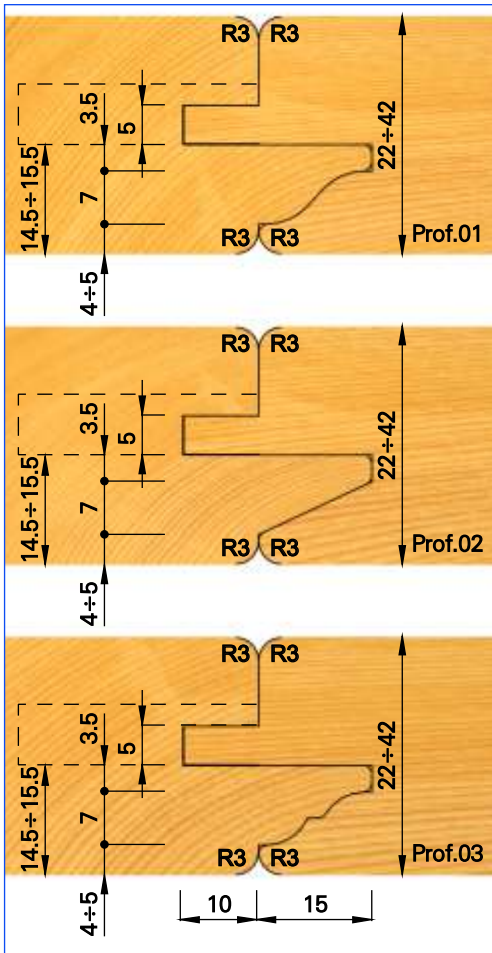
K 426 - 6P Gruppo di teste multiprofilati programmato per antine e porte



HW

MAN


D 170 n 4500 - 7800
D 180 n 4300 - 7400



SET COMPLETO DI INSERTI PER PROFILO 01.

D	d	Z	COD. SET
180	30	2	K42606P030
180	31.75	2	K42606P031
180	35	2	K42606P035
180	40	2	K42606P040
180	50*	2	K42606P050

* Senza mozzo / Without sleeve / Sans manchon / Sin casquillo / Ohne Spannbuchse.

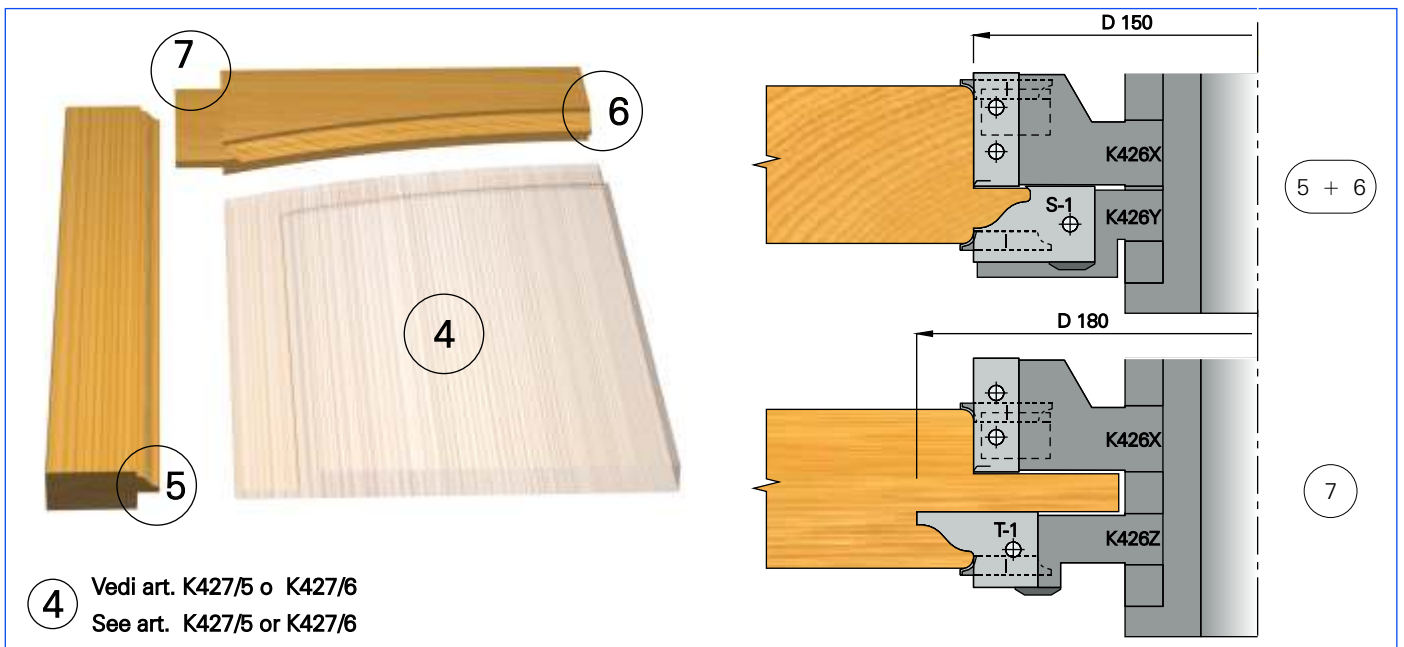
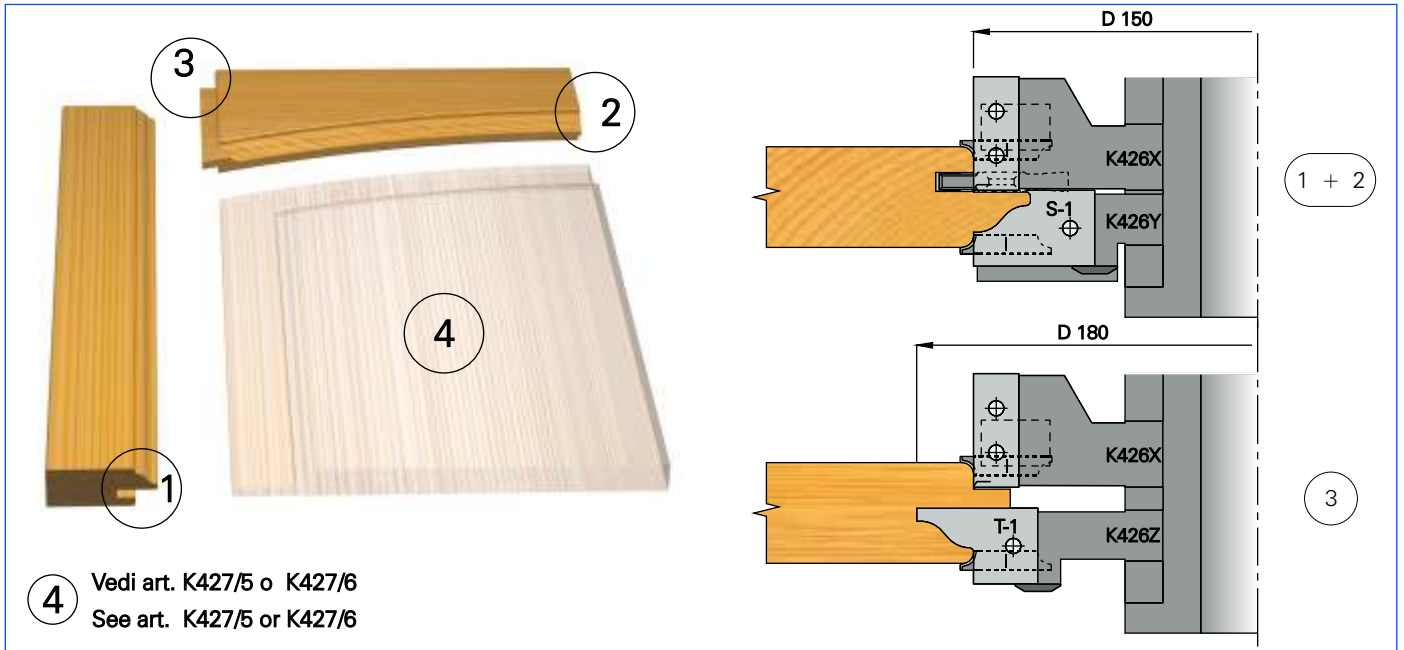
 Multi - profile cutter head set for cabinet and internal doors, complete with profiled inserts S1 - T1.

 Juego de cabezales multiperfiles para puertas de muebles, completo con cuchillas perfiladas S1 - T1.

 Jeu de porte - outils multiprofiles pour portes de meubles, complet avec plaquettes profilées S1 - T1.

 Multi - Profiler Messerkopfsatz für Möbeltüren und Innentüren, komplett mit Profilmessern S1 - T1.

K 426 - 6P Gruppo di teste multiprofilati programmato per antine e porte



Ricambi / Spare parts / Rechanges / Repuestos / Ersatzteile

COD. 0480030014	COD. 0480050030	COD. K48026S100	COD. K48026S200	COD. K48026S300	COD. K48026T100	COD. K48026T200	COD. K48026T300	COD. 0480502600
COD. 048053182R	COD. 048053182L	COD. 048060C000	COD. 0480700612	COD. 0480700620	COD. 0480700820	COD. 048074A510	COD. 048074B515	
COD. 048074C515	COD. 048073B000	COD. K48062E000	COD. K480150000	COD. K480160000	COD. K48017F000	COD. 0480783000	COD. 048078L400	COD. 048078T200