



Ø 320
TENONING SET

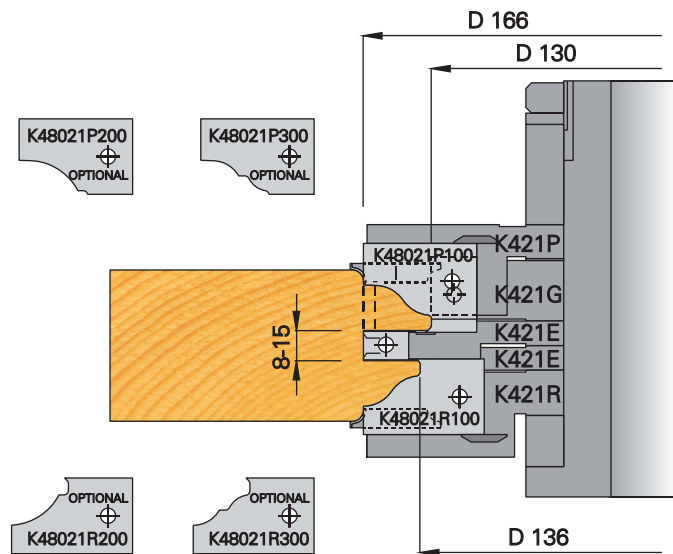


HW

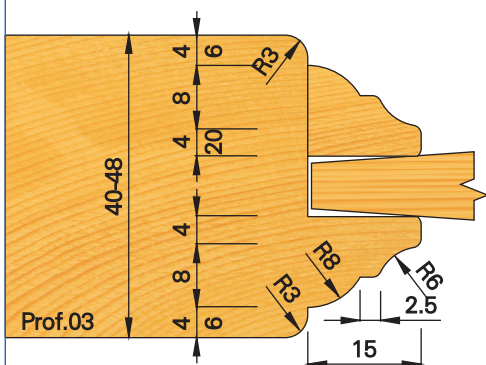
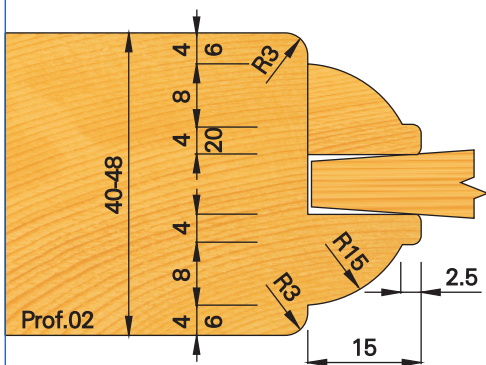
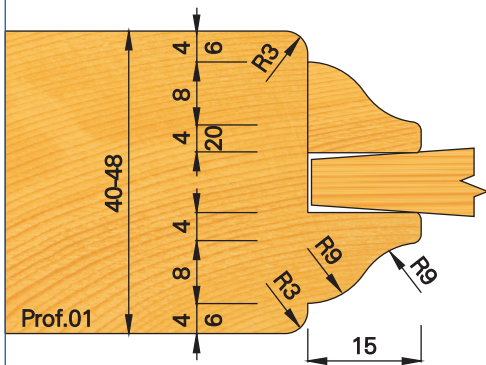
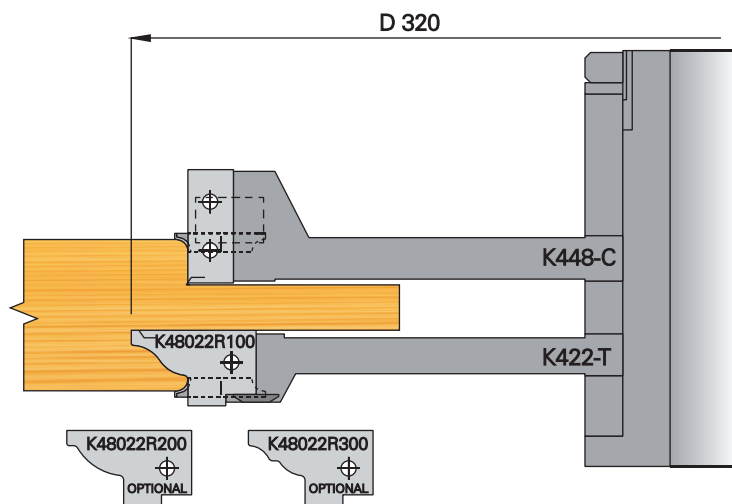
MAN

D 166 n 4500 - 7800
D 320 n 2400 - 4100

K 421 - 15



K 422 - 22



ART.	d	Z	COD.
K421 - 15	30	2	K4211530R3
K421 - 15	31.75	2	K4211531R3
K421 - 15	35	2	K4211535R3
K421 - 15	40	2	K4211540R3
K421 - 15	50	2	K4211550R3

ART.	d	Z	COD.
K422 - 22	30	4	K4222230R3
K422 - 22	31.75	4	K4222231R3
K422 - 22	35	4	K4222235R3
K422 - 22	40	4	K4222240R3
K422 - 22	50	4	K4222250R3

Multi-profile cutter head set for internal doors.

Juego de cabezales multiperfiles para puertas.

Jeu de porte - outils multiprofiles pour portes.

Multi - Profiler Messerkopfsatz für Innentüren.