



programmable  
circular saws  
class si x  
class si 550ep  
class si 400ep



±46° double tilting blade.

		class si x	class si 550ep	class si 400ep
Max. saw blade diameter	mm	550	550*	400
Max. saw blade diameter <b>with installed scoring unit</b>	mm	450**	-	400
Max. saw blade projection from the table at 90°/+45°/-45°	mm	200/130/105	200/130/-	140/97/-
Saw blade rotating speed	rpm	3000 ÷ 5000	2500/3500/5000	3000/4000/5000
Squaring stroke	mm	2200 ÷ 3800	2200 ÷ 3800	2200 ÷ 3800
Cutting width on rip fence	mm	1000 ÷ 1500	1000 ÷ 1500	1000 ÷ 1500
Three-phase motors power starting from	kW/Hz	9 (11) / 50 (60)	7 (8) / 50 (60)	7 (8) / 50 (60)

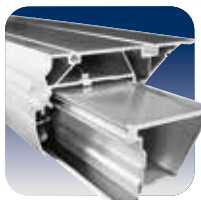
Find the complete technical specification at page 20

\* The machine is not equipped with scoring unit

\*\* Scoring unit as option



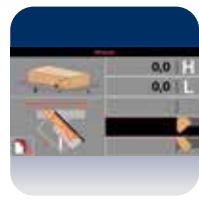
**Saw Unit**  
sturdy structure



**Sliding Carriage**  
high cutting quality



**Rip Fence**  
smoothness and precision



**Electronic Control**  
precision and ease-of-use



**SCM  
Thundercut  
Optimizer/  
Sequencer App**

Superior technology combined with an ease-of-use.

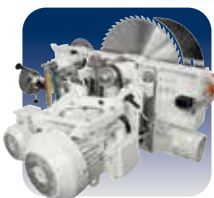


manual  
circular saws  
class si 400  
class si 350  
class si 300

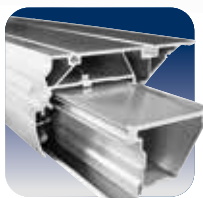


		class si 400	class si 350	class si 300
Max. saw blade diameter <b>with installed scoring unit</b>	mm	400	350	315
Max. saw blade projection from the table at 90°/45°	mm	140/97	118/81	100/70
Saw blade rotating speed	rpm	3000/4000/5000	4000	4000
Squaring stroke	mm	2200 ÷ 3800	2200 ÷ 3800	2200 ÷ 3800
Cutting width on rip fence	mm	1000 ÷ 1500	1000 ÷ 1500	1000 ÷ 1500
Three-phase motors power starting from	kW/Hz	7 (8) / 50 (60)	7 (8) / 50 (60)	5 (6) / 50 (60)

*Find the complete technical specification at page 20*



**Saw Unit**  
sturdy structure



**Sliding Carriage**  
high cutting quality



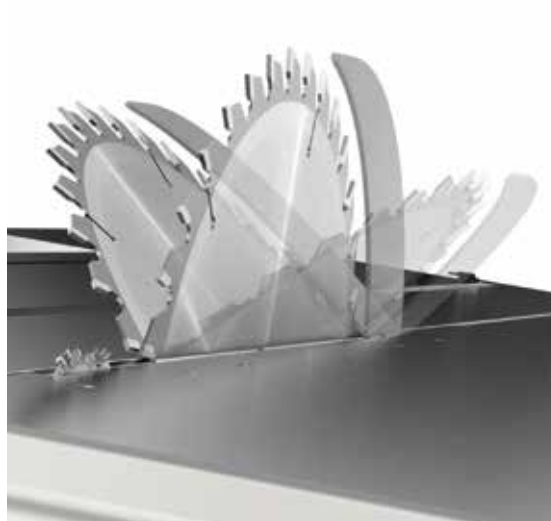
**Rip Fence**  
smoothness and precision



**SCM**  
**Thundercut**  
Optimizer/  
Sequencer App

High construction quality for reliability and safe performance.

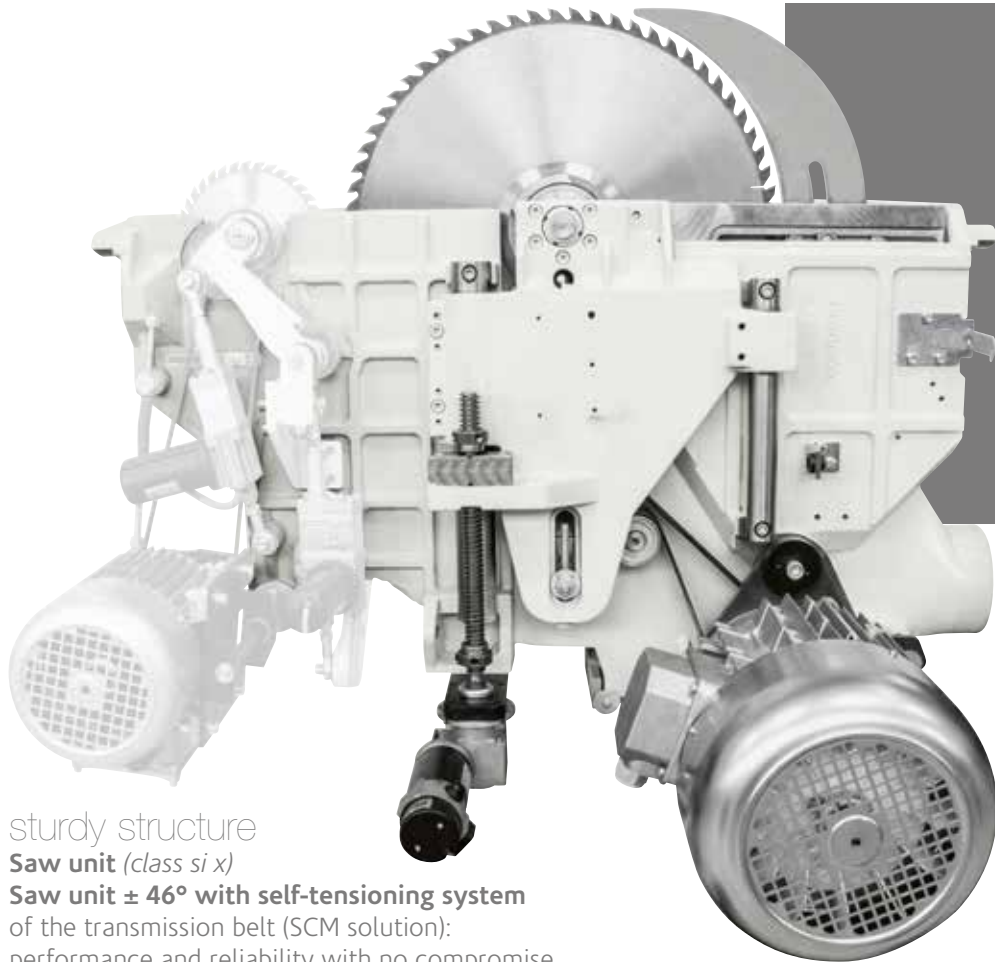
# circular saws operating groups



always user friendly  
and precise

## Handwheels on the machine front

Ease-of-use in every day operation due to the dedicated gear box (**SCM solution**), fully protected from dust, that provides a smooth and direct transmission. Every minimum hand-wheel movement corresponds to a precise blade adjustment.



sturdy structure

Saw unit (class *si x*)

Saw unit  $\pm 46^\circ$  with self-tensioning system of the transmission belt (SCM solution): performance and reliability with no compromise.

The saw blade lifting is carried out by a strong cast-iron structure with sliding on ground round slideways which guarantee the **best accuracy**. The unit tilting is carried out on cast-iron rotation sectors in a crescent shape to ensure reliability over time.

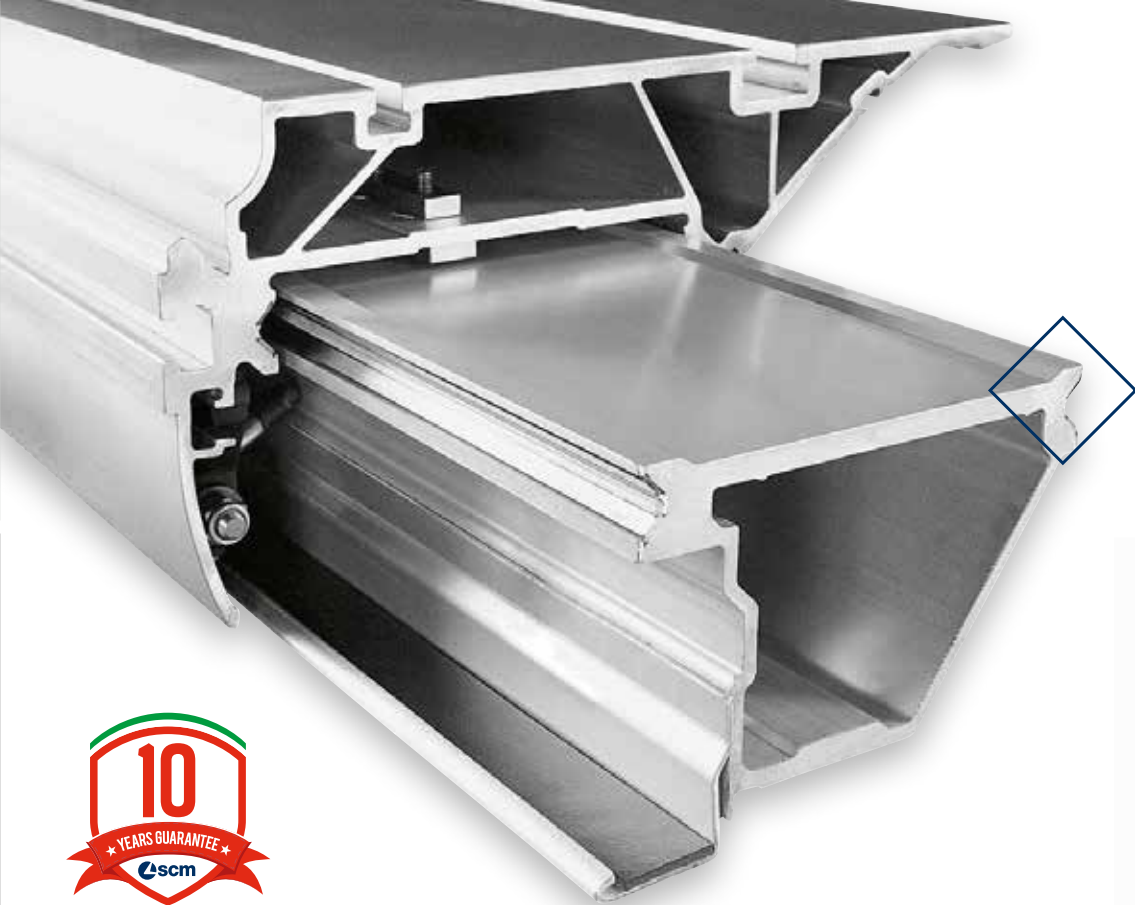


simple and effective

## Scoring unit adjustment

Vertical and horizontal adjustments are carried out by user-friendly mechanical levers that operate directly making precise and smooth movements. The useful mechanical stops allow immediately finding of the set position. The positioning of the controls allows their use without moving from the front of the machine.





maximum cut quality guaranteed over time

**Sliding carriage**

The carriage will never require adjustment due to its closed reticular geometry with steel guides using an **exclusive method of mechanical fixing**.



Furthermore, the **“arc” profile of the class arch-ground steel slideways (SCM solution)** ensures:

- No play and loads four times higher than others
- +/-0,05 mm tolerance on the entire carriage length for straight and high quality cutting
- Sliding effectiveness over time, thanks to the particular guides positioning which ensures protection from dust



reliability and technology without comparison  
10 years of SCM guarantee for the carriage sliding system.

smooth, rapid and precise positioning

**Rip fence**

Sliding of the rip fence support on round bar with micrometric adjustment.

The support can be also equipped with digital readout for fence position with detecting system on magnetic band (option). The fence can be easily excluded from the working area when it isn't used.

optimal support

**Squaring frame and fence**

Panel loading is easy on the large squaring frame with an idle roller at the end and the mobile cross beams offer an **optimal support** also to smaller panels. The telescopic squaring fence with the inclined metric scale and two reversible stops can be used to square panels measuring 3200x3800 mm and for tilted cuts at up to 45° on both sides of the frame.



# programmable circular saws electronic controls

Technical specification at page 21



the operating advantage  
for easy assistance

**Easy**

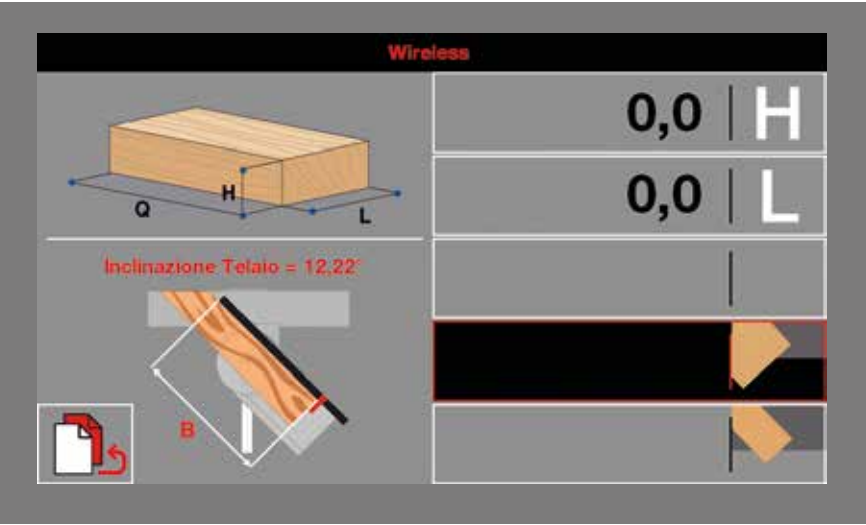
**Maximum reliability** due to the function pushbuttons and easy to use with the electronic control of up to 5 axes with the 7" LCD display, 16:9 format. Integrated and fast control of all dedicated functions. These features translate into immediate improvements in productivity and guarantees the capability of the full potential of the machine.



one cut only, the correct one

**Operator's support**

The large display suggests to the operator information for the correct use of any cutting configuration. In particular, it displays in real time the correct position of the stop on the basis of the known measurements of the work-piece (**SCM solution**).

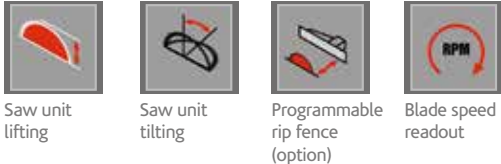


the practical advantage for  
automatic control of the  
main positions

**Ready**

The **programming** of the work becomes **simple and effective** with the electronic control with a 4" LCD display.

- Working mode: manual, semi-automatic and automatic with a memory capacity of up to 99 programs
- Tool data setting with automatic height adjustment
- Calculator and hour counter



Easy control can easily manage the  
**inverter for the adjustment of the saw  
blade rotation speed and the  
scoring unit alignment.**



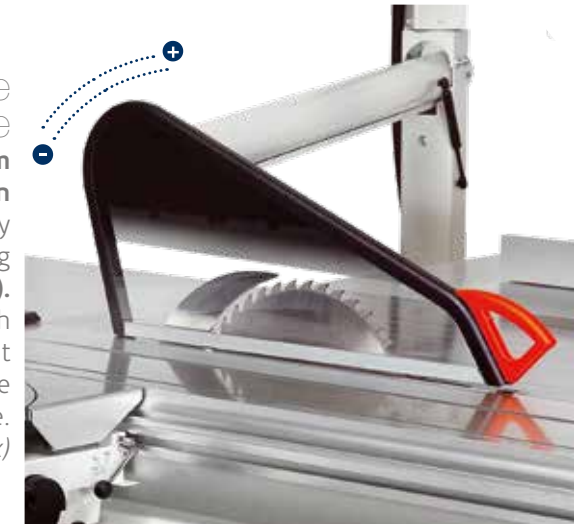


speed and accuracy  
**Motorised programmable rip fence mounted on a recirculating ball screw mechanism with sliding on linear guides.**  
*Only for Ready 3 Plus / Easy 3 Plus versions*



maximum practicality  
**Pushbuttons integrated in the sliding carriage**  
 The possibility to start or stop the blades motors from the pushbuttons located at the ends of the carriage **considerably helps when machining large dimensioned panels.**  
*(option)*

the innovation at the operator service  
**Automatic positioning system of the overhead protection**  
 The overhead protection automatically positions itself as a function of the blade using the **exclusive "AP system" (SCM solution).**  
 This makes the transition from cuts with different angles even faster and safe, without the operator having to change the settings of the machine.  
*(class si x)*



practicality and safety  
**Motorized programmable rip fence with steel cable and sliding on sturdy round steel bar.**  
 Position readout on magnetic band.  
*Only for Ready 3 version*

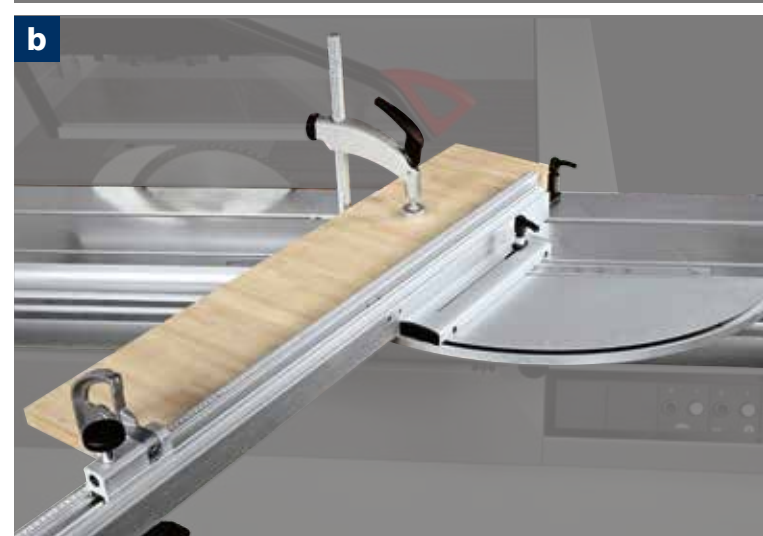


# circular saws main optional devices

## Angular cutting devices

Available for the following versions

- a) traditional
- b) with automatic self-adjustment of the stops position in respect of the blade
- c) with automatic self-adjustment of the stops position in respect of the blade and electronic readouts for stop position and rule tilting angle



## Rip fence unit

The exclusive referencing system for the first trim cut allows the setting of trim quantity to be cut for every **side without any test cuts**. Available also with electronic readouts.





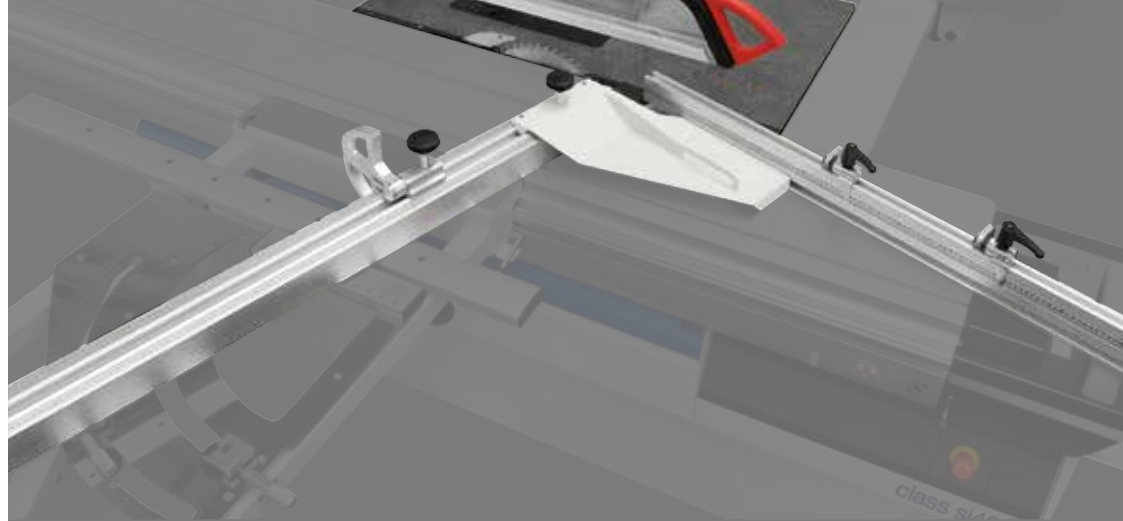
**Squaring frame with "Compex" device**

with automatic self-adjustment of stops position in respect of the blade and rule tilting angle. Furthermore, thanks to the dedicated frame structure, it is possible to carry out **tilted cuts keeping the squaring rule comfortably within the operator's reach**, both in acute cuts and in obtuse ones, without renouncing to a valid support of the piece.

speed and precision

**"Quick Lock" squaring fence with rapid release.**

Minimum set-up time with the **SCM system that allows rapid fence positioning**. The extending roller and the stronger frame support maximise performance.



**Fence for complementary cutting**

Device to be applied directly on the squaring rule that allows to quickly carry out cuts with angles complementary to the rule one.

**Electronic readouts on the squaring stops**

The stops can be easily read even from distance.



# circular saws main optional devices

**Surface reinforcement treatment**  
For sliding table and mobile crossbars of squaring frame.  
Dedicated to the intensive processing and particularly abrasive materials.



**Extension with roller conveyor on parallel fence side,**  
for the support of large panels, and tools-holder  
to have the tools always within reach.



**Mechanical preset for "DADO" machining**  
Possibility of using a tool (not included)  
to replace the main blade,  
with 203 mm maximum  
diameter and 20 mm  
maximum thickness.

circular  
saws  
main  
optional  
devices

Tablet holder on the sliding carriage  
Compatible with tablets from 8" to 11".



Adjustable tablet holder positioned on the mobile control panel  
Compatible with tablets from 7" to 13".  
It is equipped with USB port for power supply positioned  
on the mobile control panel.

**circular  
saws  
main  
optional  
devices**



**Blades-holder drawer integrated in the machine's frame**  
It is made of 4 shelves, customizable with labels, for the easy replacement of the blades.

**"Pro-Lock"**  
System for the main blade rapid locking with fast and tool-less riving knife adjustment.



**Expandable scoring blade**  
Manually expandable with variable thickness from 2,8 to 3,6 mm.  
Blade diameter: 120 mm (160 mm for *class si x*)



**"LED indicating scoring unit in operation" device**  
When the scoring blade is working, the high efficiency LEDs clearly indicate the danger area, making the machine safer than ever.



### Pneumatic presser

Particularly suitable for the cutting of thin materials.



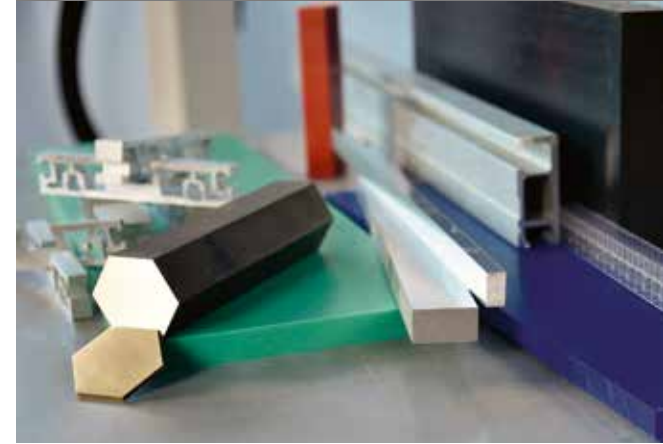
### Second extension with sliding rail support

to safely support panels for large dimension and weight.



### Advanced materials machining

PVC and other plastic materials. Nylon, polycarbonate and other synthetic materials. Corian and other composite materials. Aluminium, brass and other light metals.

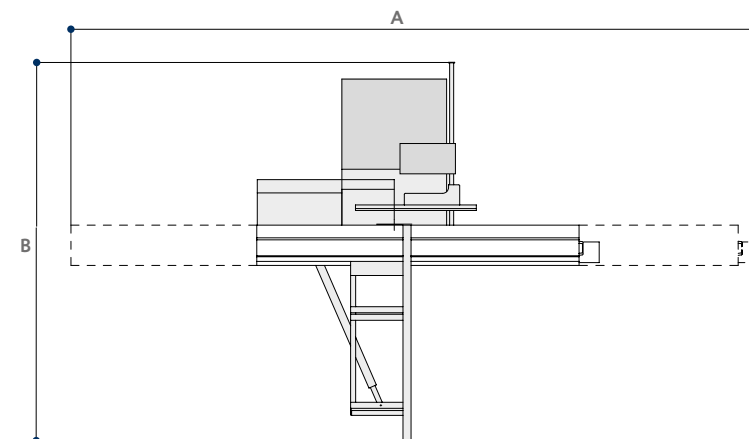
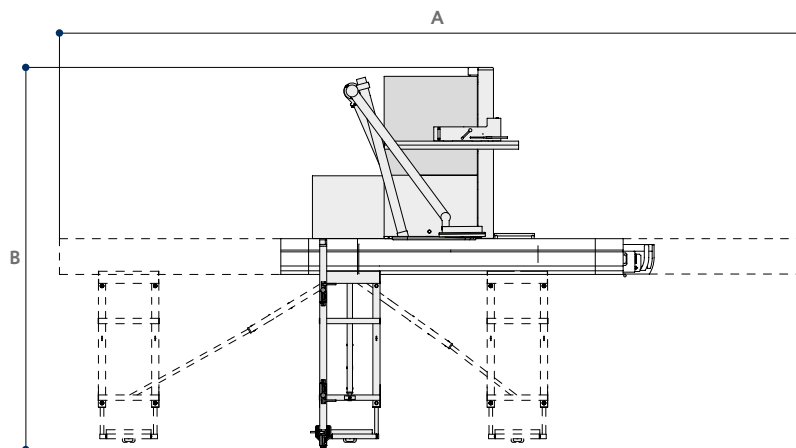


### Device for the blade micro-lubrication

Compulsory for the machining of light alloys, extremely useful with particular plastic materials.



# circular saws technical data



S Standard  
O Option

TECHNICAL DATA		class si x	class si 550ep	class si 400ep	class si 400	class si 350	class si 300
Cast-iron saw table dimensions	mm	1285 x 700	1285 x 700	1040 x 630	1040 x 630	1040 x 630	900 x 550
Blades tilting	mm	-46° ÷ +46°	90° ÷ 45°	90° ÷ 45°	90° ÷ 45°	90° ÷ 45°	90° ÷ 45°
Max. saw blade diameter		550	550*	400	400	350	315
Max. saw blade diameter <b>with installed scoring unit</b>	mm	450**	-	400	400	350	315
Max. saw blade projection from the table at 90°/+45°/-45°	mm	200/130/105	200/130/-	140/97/-	140/97/-	118/81/-	100/70/-
Saw blade rotating speed	rpm	3000 ÷ 5000	2500/3500/5000	3000/4000/5000	3000/4000/5000	4000	4000
Squaring stroke	mm	2200 ÷ 3800	2200 ÷ 3800	2200 ÷ 3800	2200 ÷ 3800	2200 ÷ 3800	2200 ÷ 3800
Cutting width on rip fence	mm	1000 ÷ 1500	1000 ÷ 1500	1000 ÷ 1500	1000 ÷ 1500	1000 ÷ 1500	1000 ÷ 1500
<b>other technical features</b>							
Three-phase motors 5 kW (6,6 hp) 50 Hz - 6 kW (8 hp) 60 Hz		-	-	-	-	-	S
Three-phase motors 7 kW (9,5 hp) 50 Hz - 8 kW (11 hp) 60 Hz		-	S	S	S	S	O
Three-phase motors 9 kW (12 hp) 50 Hz - 11 kW (15 hp) 60 Hz		S	O	O	O	-	-
Three-phase motors 14 kW (19 hp) 50 Hz - 14 kW (19 hp) 60 Hz		-	O	-	-	-	-
Exhaus hoods diameter:							
- at the base	mm	120	120	120	120	120	120
- on overhead protection	mm	100	100	100	100	100	100
- on riving knife	mm	-	-	60	60	60	60

\* The machine is not equipped with scoring unit

\*\* Scoring unit as option

<b>OVERALL DIMENSIONS</b>		class si x	class si 550ep	class si 400ep	class si 400	class si 350	class si 300
A with 2200 mm carriage	mm	5230	5230	5230	5090	5090	5090
A with 3200 mm carriage	mm	7250	7250	7250	6825	6825	6825
A with 3800 mm carriage	mm	8500	8500	8500	7425	7425	7425
B with 1000 mm cutting width on rip fence	mm	4042	3922	3815	3740	3740	3597
B with 1270 mm cutting width on rip fence	mm	4367	4247	4140	4110	4110	3867
B with 1500 mm cutting width on rip fence	mm	4492	4372	4265	4235	4235	4097
<b>MAIN OPTIONAL DEVICES</b>		class si x	class si 550ep	class si 400ep	class si 400	class si 350	class si 300
"Ready 3" version		-	0	0	-	-	-
"Ready 3 UP" / "Ready 3 UP Plus" version		-	-	0	-	-	-
"Easy" version		S	-	-	-	-	-
"Easy 3 UP Plus" version		0	-	0	-	-	-
"SCM Thundercut" Optimizer/Sequencer App		S	S	S	S	S	S
Expandable scoring blade		0	-	0	0	0	0
Surface reinforcement treatment for sliding table		0	0	0	0	0	0
Pushbuttons integrated in the sliding carriage		0	0	0	0	0	0
"Quick Lock" squaring fence		0	0	0	0	0	0
Squaring fence with LCD readouts for stops position		0	0	0	0	0	0
Fence for angular cutting on the sliding carriage		0	0	0	0	0	0
Fence for angular cutting with self-adjustment		0	0	0	0	0	0
Fence for angular cutting with electronic readouts and self-adjustment		0	0	0	0	0	0
Squaring frame with "Compex" device		0	0	0	0	0	0
Fence for complementary cutting		0	0	0	0	0	0
Fence for rip cutting on the sliding carriage		0	0	0	0	0	0
Fence for rip cutting on the sliding carriage with electronic readout		0	0	0	0	0	0
Inverter for electronic speed change from 2700 to 6000 rpm		S**	-	0	-	-	-
2-axis automatic adjustment of the scoring unit		S***	-	0	-	-	-
Electronic readout of parallel fence position		0	0	0	0	0	0
Presser on entire carriage length		0	0	0	0	0	0
Second extension with sliding rail support		0	0	0	0	0	0
Extension with roller conveyor on parallel fence side		0	0	0	0	0	0
"Pro-Lock" system for the main blade rapid locking		0	0	0	0	-	-
"LED indicating scoring unit in operation" device		0***	-	0	-	-	-
"DADO" machining		-	-	0	0	0	0
Machine configuration for advanced materials machining		0	-	0	0	0	0
Device for the blade micro-lubrication for the machining of plastic materials and light alloy		0	-	0	0	0	0
Overhead blades protection		S	S	S*	S*	0	0
Adjustable tablet holder positioned on the mobile control panel		0	-	0	-	-	-
Tablet holder on the sliding carriage		0	0	0	0	0	0
Blades-holder drawer integrated in the machine's frame		0	-	-	-	-	-

\* Standard for CE and USA-Canada versions; Option for NO CE version

\*\* 3000 ÷ 5000 rpm speed

\*\*\* Scoring unit as option