

genius
combined machines
circular saw
fs 30g
st 1g
sc 1g

surfacing-thicknessing planer
saw-spindle moulder
circular saw



		fs 30g	st 1g	sc 1g
Planer useful working width	mm	300	-	-
Total length of surfacing tables	mm	1200	-	-
Max. saw blade diameter	mm	-	250	250
Squaring stroke	mm	-	1200	1200
Max. spindle length	mm	-	75	-
Three-phase motors starting from	kW/Hz	1,8 (2,2) / 50 (60)	1,8 (2,2) / 50 (60)	1,8 (2,2) / 50 (60)

Find the complete technical specification at page 12



Saw Unit
cutting precision



Surfacing Planer
fully equipped



Thickening Planer
practical and ergonomic



Spindle Moulder
flexibility



Mortiser
functional



SCM
Thundercut
Optimizer/
Sequencer App

genius operating groups



cutting precision

Saw Unit.

Tilting saw unit with a 250 mm blade and a maximum blade projection from table at 90° of 80 mm. The saw unit can be raised and tilted using convenient hand-wheels. The anodized aluminum sliding table, with a 1200 mm stroke, slides **next to the blade**, thus ensuring better cutting precision.

practical and ergonomic

Thickening Planing.

To keep the machine compact and make machining easier, the surfacing table opens towards the inside of the machine. Thanks to an efficient feed system, the thickening unit can process wood up to 200 mm thick.



functional and customisable

A machine even more versatile: with the practical **mortiser** (option) drilling holes or mortises are easily done.



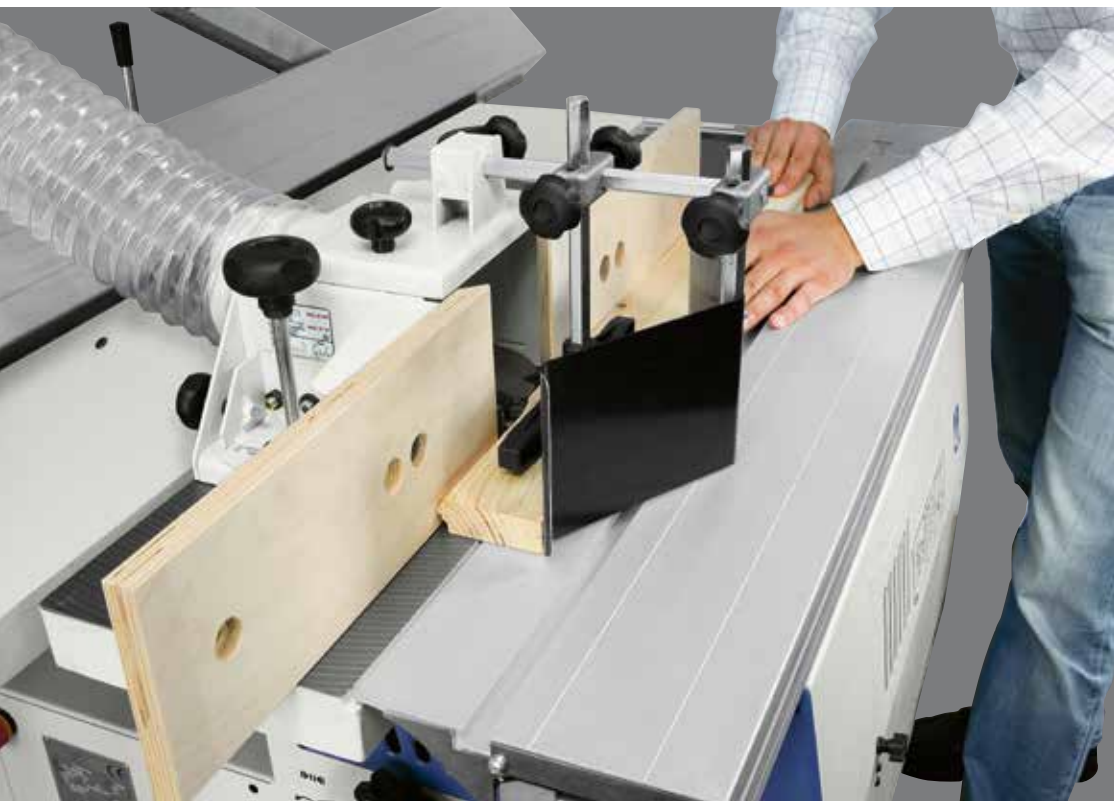


safety first
Genius machines have many **safety devices according to CE norms**, as like as the spindle moulder guard for curved profiles and moulding shapes.



fully equipped
Surfacing Planing.

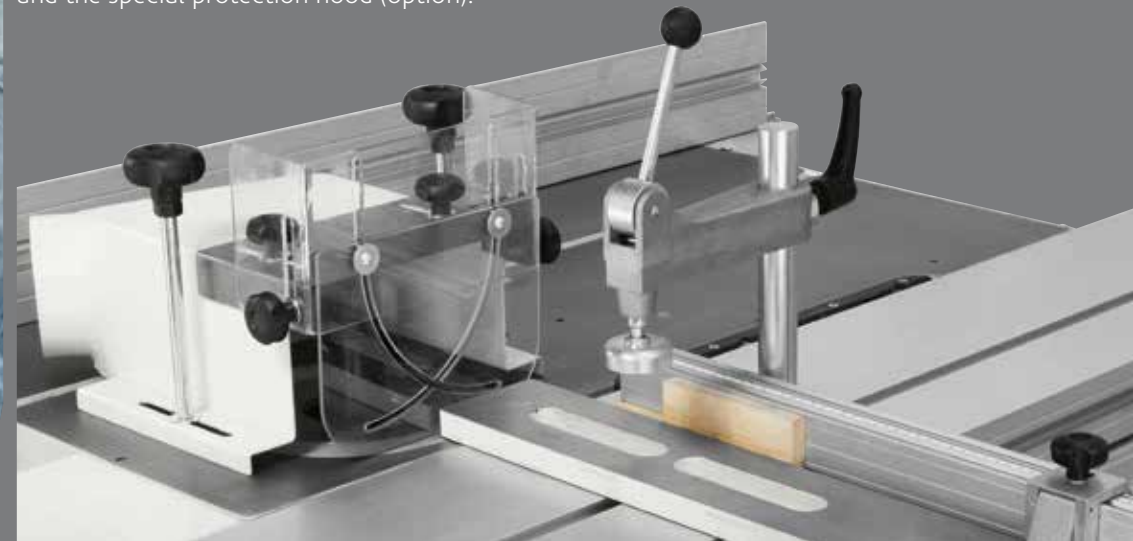
The planer unit has a cutter block with 2 re-usable knives (the "Tersa" disposable knives system with 3 knives and rapid clamping is available as an option). Genius machines also have saw-planer fences with an anodized aluminum extrusion and a support with clamp for fast positioning.



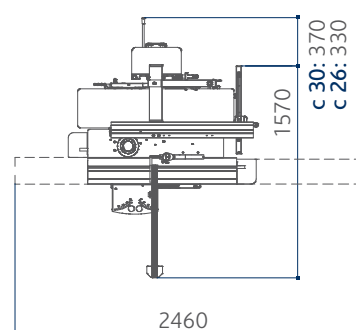
flexibility

Spindle Moulder.

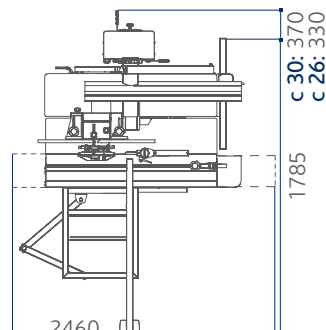
Maximum flexibility in spindle moulder tool use, with the unit with 2 speed (5000/7500 rpm). The machines have a spindle moulder fence with micrometric adjustment, a feature which is particularly useful on profiling jobs. Tenoning is easy too, thanks to the aluminum sliding table, the right speed setting and the special protection hood (option).



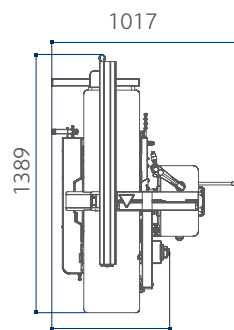
genius dimensions and technical data



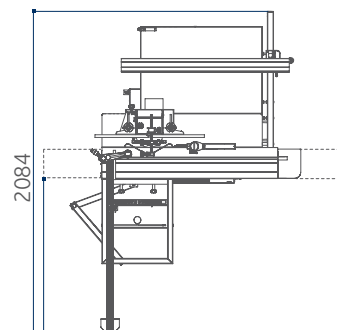
c 30g
c 26g



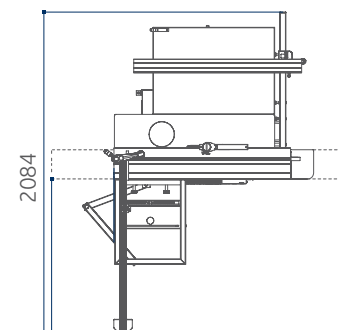
c 30g
c 26g with support frame



fs 30g



st 1g



sc 1g

S Standard
O Option

		c 30g	c 26g	fs 30g	st 1g	sc 1g
planer						
Working width	mm	300	260	300	-	-
Cutter block diameter (mm)/no. of standard knives	mm/n.	62 / 2	62 / 2	62 / 2	-	-
Dimensions of standard knives	mm	300 x 25 x 3	260 x 25 x 3	300 x 25 x 3	-	-
Max. stock removal	mm	3	3	3	-	-
Surfacing tables total length	mm	1200	1040	1200	-	-
Thickening table dimensions	mm	300 x 450	260 x 450	300 x 450	-	-
Feed speed on thickener	m/min	6	6	6	-	-
Min. ÷ max. working height on thickener	mm	3 ÷ 200	3 ÷ 200	3 ÷ 200	-	-
circular saw						
Cast iron saw-spindle moulder worktable dimensions	mm	1024 x 224	1024 x 224	-	1024 x 224	1024 x 224
Saw blade tilting		90° ÷ 45°	90° ÷ 45°	-	90° ÷ 45°	90° ÷ 45°
Max. saw blade diameter with scoring blade installed	mm	250	250	-	250	250
Max. saw blade projection from table at 90°/45°	mm	80 / 64	80 / 64	-	80 / 64	80 / 64
Squaring stroke	mm	1200	1200	-	1200	1200
Cutting width on parallel fence	mm	540	500	-	700	700
spindle moulder						
Max. useful spindle length	mm	75	75	-	75	-
Spindle moulder speeds (at 50 Hz)	rpm	5000 / 7500	5000 / 7500	-	5000 / 7500	-
Max. tool diameter when profiling	mm	160	160	-	160	-
Max. diameter of tool lowered under the table at 90°	mm	145	145	-	145	-
Max. tool diameter when tenoning	mm	200	200	-	200	-
other technical features						
Three-phase motors 1,8 kW (2,5 hp) 50 Hz – 2,2 kW (3 hp) 60 Hz		S	S	S	S	S
Three-phase motors 2,2 kW (3 hp) 50 Hz – 2,6 kW (3,6 hp) 60 Hz		O	O	O	O	O
Single-phase motors 1,8 kW (2,5 hp) 50 Hz		O	O	O	O	O
Single-phase motors S1 1,8 kW (2,5 hp) 60 Hz		O	O	O	O	O
Exhaust outlets diameter	mm	120	120	120	120	120



genius main optional devices

tablet holder
on the sliding
carriage
Compatible with
tablets from
8" to 11".



"minimax ease"
mobile trolley
for accessories
Designed to store various
accessories such as:
surfacing fence, squaring
fence, spindle moulder
fence, spindle shafts, etc.



"Tersa" cutter block
Automatic knives clamping by
means of the centrifugal force
ensures safe and precise machining.
The system, without fixing screws,
makes knives substitution
extremely fast.



self-centering chuck
0-16 mm "Wescott" type
The mortiser spindles can be rapidly
substituted without the necessity
of adjustment.



tenoning table and
protection hood
For the tenoning operations on the spindle
moulder. It consists of:
- table
- protection hood for tools,
200 mm diameter
- exhaust hood, 120 mm diameter



maintenance case for
"Xylent" spiralknife

Complete with:

- 1 cleaning/degreasing liquid bottle
for the resins cleaning
- 1 set dynamometric key
- 2 bit Torx
- 10 inserts
- 5 screws
- 1 brass bristle brush to clean the spindle with mounted in inserts
- 1 steel bristle brush to clean the inserts housings



"Xylent" spiralknife cutter block
with 3 series of knives

The 3 spiralknives give an exceptional finish.
Reduced noise during machining provides
a more comfortable working environment.
It also improves the dust extraction due to
the production of very small chips. Each
cutter has 4 tips which can be rotated into
the cutting position when worn. Therefore
increasing the production life of the cutter
block before knives require replacement.



genius main optional devices

S Standard
O Option

	c 30g	c 26g	fs 30g	st 1g	sc 1g
"SCM Thundercut" Optimizer/Sequencer App	S	S	-	S	S
Tablet holder on the sliding carriage	O	O	-	O	O
"Tersa" cutter block	O	O	O	-	-
"Xylent" spiralknife cutter block with 3 series of knives	O	O	O	-	-
Maintenance case for "Xylent" spiralknife	O	O	O	-	-
Self-centering chuck 0-16 mm "Wescott" type	O	O	O	-	-
Tenoning table and protection hood	O	O	-	O	-