

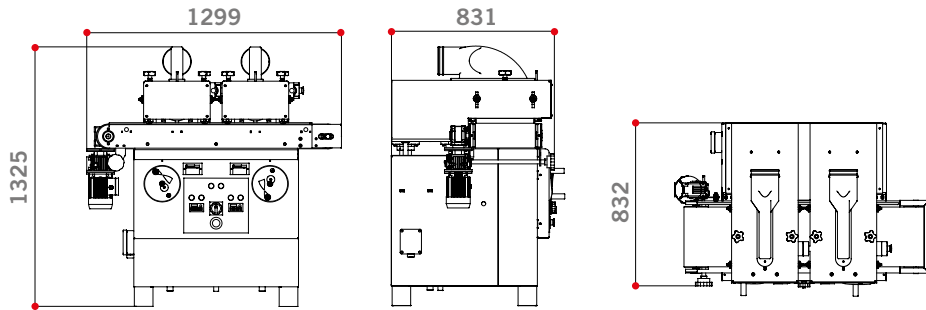
structuring/
brushing machines

formula str 32
formula str 62

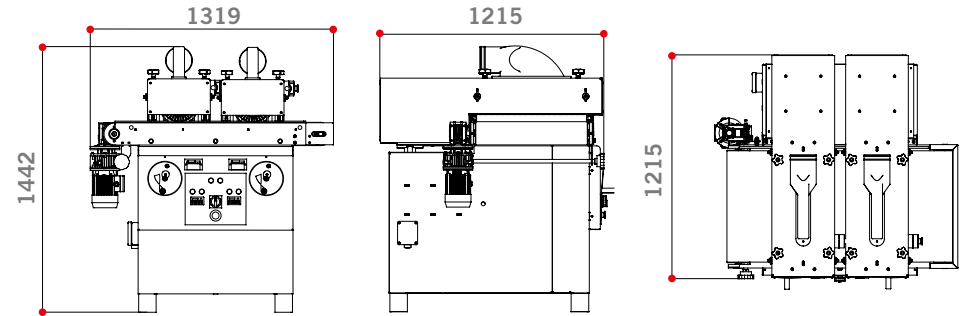
Sturdiness and precision
are now available also for
the craftsman.



formula str 32



formula str 62



S Standard
O Option

formula		str 32r	str 32l	str 62r	str 62l
Working units		2	2	2	2
Working width	mm	300	300	600	600
Maximum working height	mm	300	300	300	300
Units motor power @ 50 Hz	kW	3	3	4	4
Feed belt motor power @ 50 Hz	kW	0,22	0,22	0,37	0,37
Exhaust outlets diameter	mm	2 x 150	2 x 150	2 x 150	2 x 150
Brush speed	rpm	1500	100 ÷ 1500	1500	100 ÷ 1500
Feed speed	m/min	3 ÷ 20	3 ÷ 20	3 ÷ 20	3 ÷ 20
Brush diameter	mm	190 / 190	230 / 230	190 / 190	230 / 230
Net weight	kg	440	440	750	750
Dimensions (LxDxH)	mm	1300x900x1300	1300x900x1300	1300x1200x1550	1300x1200x1550
main options					
Powered operating units lifting with digital readouts		O	O	O	O
Nylon brush (in place of the sanding brush, 300 mm width)		-	O	-	O
“Jigsaw” cross unit creating saw blade effect (first operating unit). The unit includes: - 25 steel strips - 1,5 kW motor controlled by inverter		O	O	O	O
Additional steel brush (wire 0,2 mm)		-	O	-	O
Additional steel brush (wire 0,3 mm)		O	O	O	O
Additional Tynex brush (60 grit)		-	O	-	O
Additional Tynex brush (80 grit)		O	O	O	O

structuring/ brushing machines operating groups

Perfect
finish
The double operating
unit allows to obtain
the request finish in
a single passage.



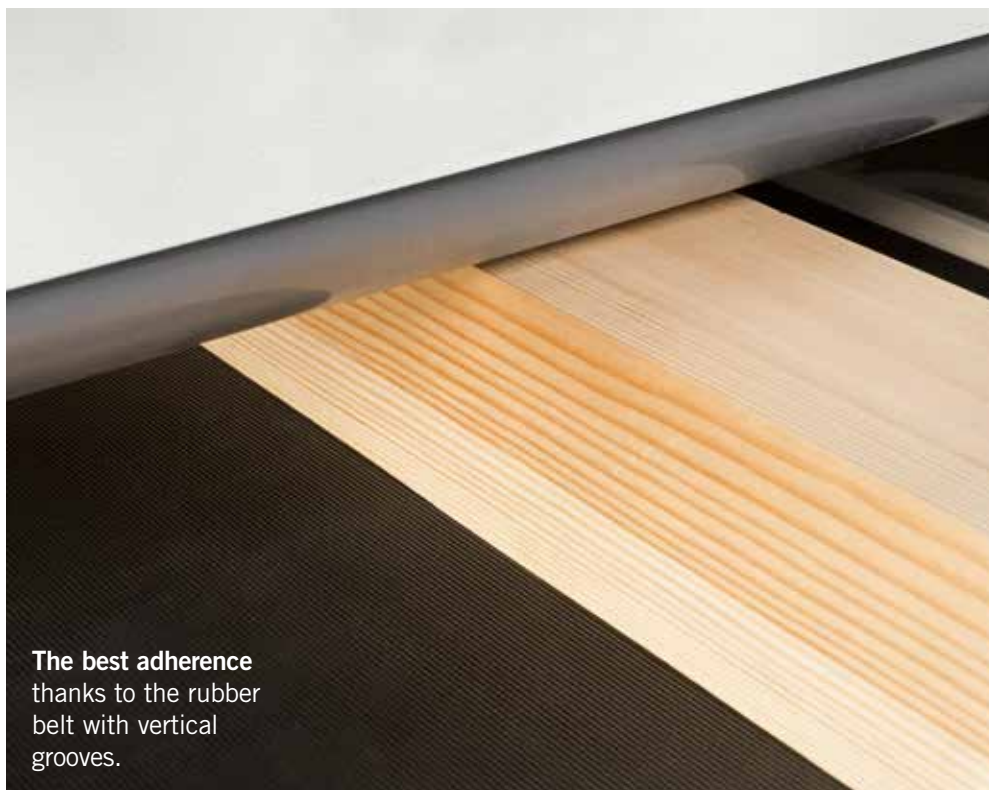
Operating units lifting by means
of handwheels and numerical
readout.

**Effective
solutions**
Feed speed variation
with mechanical
speed variator for a
simple and reliable
solution.

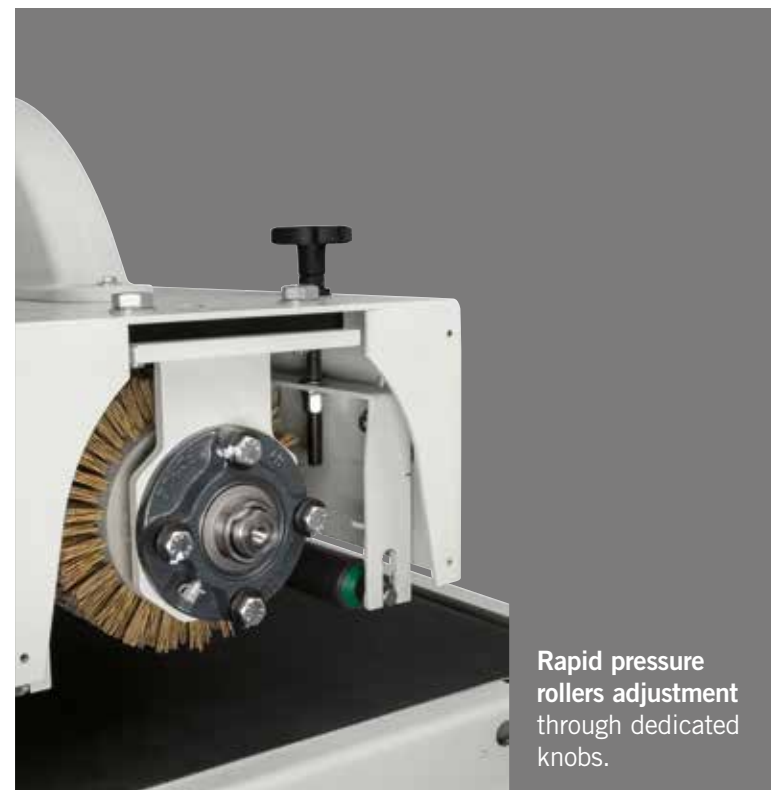




Effective extraction system
The large diameter of the exhaust outlets grants an optimal dust extraction.



The best adherence
thanks to the rubber belt with vertical grooves.



Rapid pressure rollers adjustment
through dedicated knobs.