

# surface planers

class f 520  
class f 410



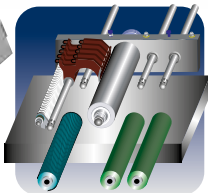
		class f 520	class f 410	class s 630	class s 520
Working width	mm	520	410	630	520
Cutterblock diameter/standard knives	mm/n.	120/4	120/4	120/4	120/4
Total worktable length	mm	2750	2610	-	-
Max. stock removal	mm	8	8	8	8
Min. ÷ max. working height on thicknesser		-	-	3,5 ÷ 300	3,5 ÷ 300
Three-phase motors power starting from	kW/Hz	5 (6) / 50 (60)	5 (6) / 50 (60)	7 (8) / 50 (60)	7 (8) / 50 (60)

Find the complete technical specification at page 36

thicknessing planers  
class s 630  
class s 520



**Surface Fence**  
high rigidity



**Interchangeable Rollers**  
for every requirement



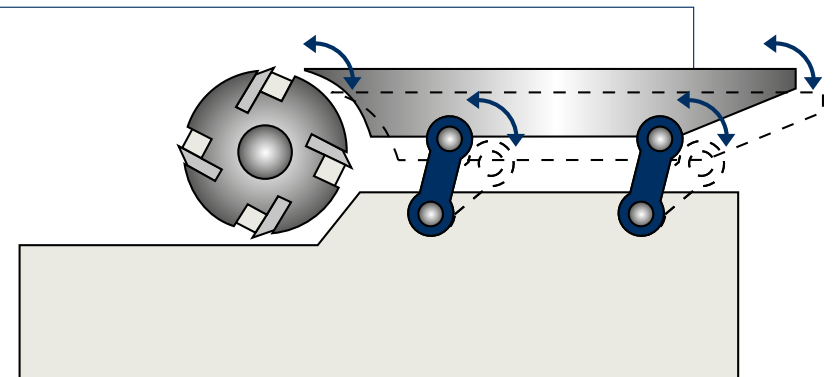
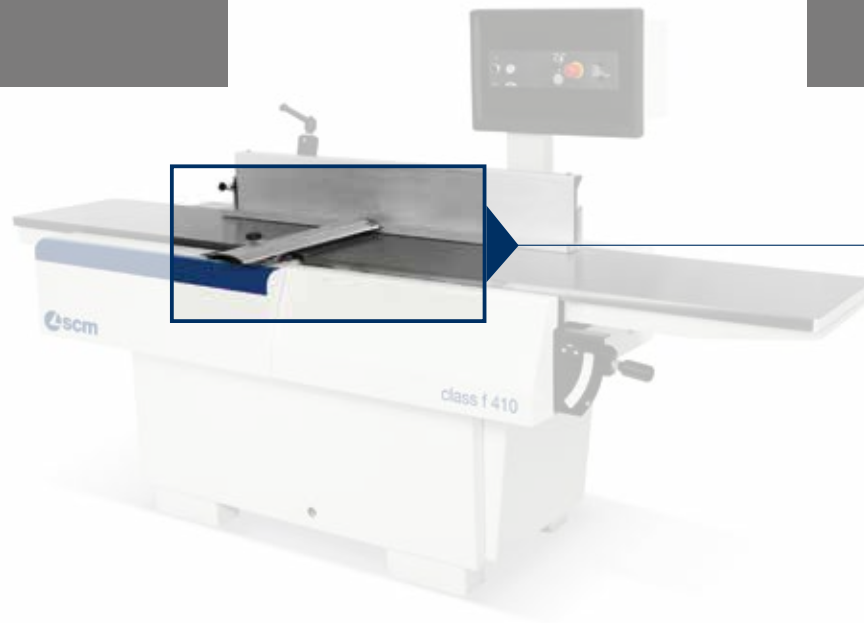
**SCM Cutterblock**  
simple and rapid

Easy to use and precise, stylish with practical design, a wider range of applications.

# planers operating groups

## high rigidity Surface fence

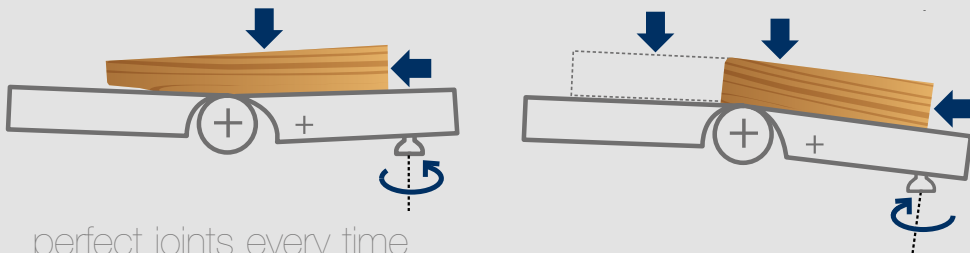
High rigid fence with a smooth movement thanks to the **central locking on round bar**. The graduated scale facilitates the operator in positioning the guide to the required tilting.



## constant precision over time

### Feeding on connecting rods

Very accurate machining with the movement of the infeed table by means of a parallelogram **kinetic mechanism which always gives the same distance between the cutterblock and the table**. The system operating directly on the connecting rods avoids any exertion to the table assuring constant planarity over time.



## perfect joints every time

### Concave-convex function

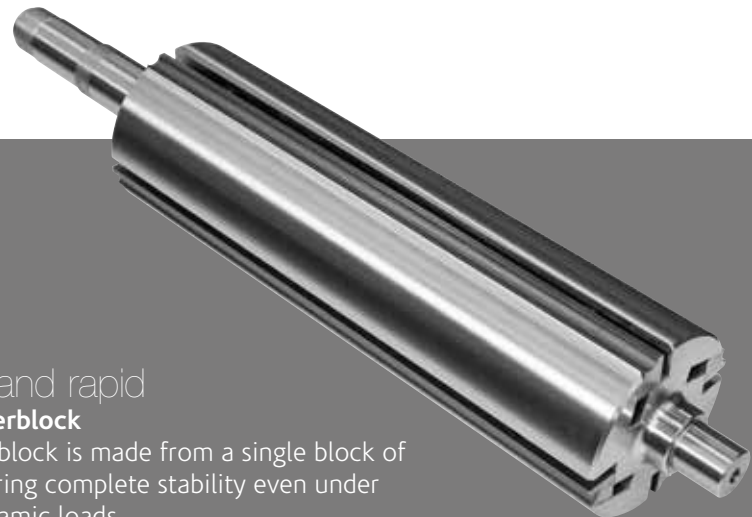
The available settings allow **perfect bonding** of the components giving excellent coupling and eliminating any joint line.



perfect finish

**Feeding rollers on connecting rods**

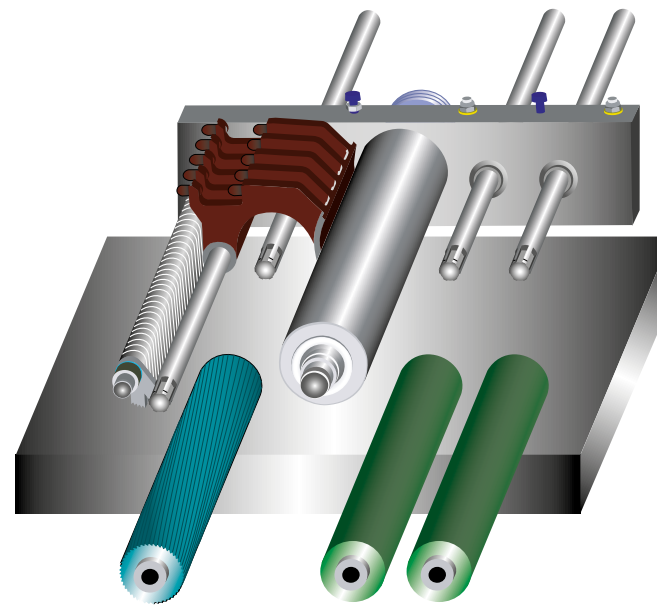
The stopping of the work-piece and the presence of notches on its surface are eliminated due to the movement system on all three rollers, that allows their vertical displacement by rotation and the **best linear feeding**. Perfect surfaces and high feeding performance with the standard rubber rollers.



simple and rapid

**SCM cutterblock**

The cutterblock is made from a single block of steel ensuring complete stability even under heavy dynamic loads.



solutions for every requirement

**Interchangeable rollers**

**Perfect finish obtained by quick and easy changeover of the rollers** that allows the operator to configure the machine drive function in case of special requirements, such as a minimum removal of fine wood and/or batches where multiple pieces of different thicknesses are processed.

Powered worktable lifting with micrometric adjustment and digital readout.

Feed speed controlled by inverter from control panel and dedicated warning light to indicate to higher speed.

The 4 screws with a large diameter combined with the 2 side linear guides ensure worktable stability. The integrated protections guarantee high precision and reliability over time.

Pneumatic load adjustment on the rollers for the best finish and effectiveness of the feeding of any material and in any working condition. *(option)*



# planers main optional devices



## Additional overturning fence

Integrated in the surface fence, it ensures perfect operator safety when machining small dimensioned work-pieces.

**"Xylent" spiralknife cutterblock**  
The 3 spiralknives give an exceptional finish. **Reduced noise** during machining provides a more comfortable working environment. It also improves the dust extraction due to the **production of very small chips**. Each cutter has 4 tips which can be rotated into the cutting position when worn. Therefore, increasing the production life of the cutter block before knives require replacement.



## "Tersa" monoblock cutterblock

The cutterblock is made from a single block of steel ensuring complete stability even under heavy dynamic loads. Automatic knives clamping by means of the centrifugal force ensures safe and precise machining. The system, without fixing screws, makes knives substitution extremely fast.

**"Smart Lifter" integrated protection**  
The protection system, **developed by SCM**, is perfectly integrated into the machine base for **maximum protection** while excluding any hindrance or obstruction in the work. The protection with automatic vertical, horizontal and tilted movements **provides complete coverage of the tool** before, during and after machining.



## Maintenance case for "Xylent" spiralknife cutterblock

It includes:

- 1 cleaning/degreasing liquid bottle for the resins cleaning
- 1 set dynamometric key - 2 bit Torx
- 10 inserts - 5 screws - 1 brass bristle brush to clean the spindle with mounted in inserts - 1 steel bristle brush to clean the inserts housings



**Thickening table extension to be used in infeed or outfeed**  
It can be installed on the worktable end side.



**Outfeed extension for the thickening table**  
A single operator can easily move very long panels or introduce a second one without going to the outside to stop the first one.



**Advanced materials machining**  
PVC and other plastic materials. Nylon, polycarbonate and other synthetic materials.

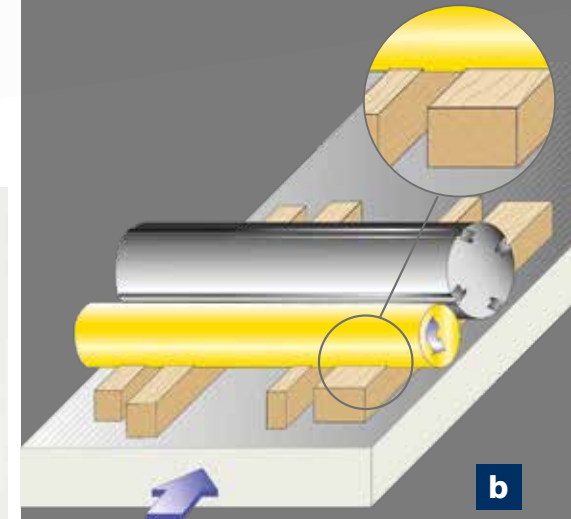
**Outfeed rollers in sandblasted steel**  
For a perfect post-processing finish.



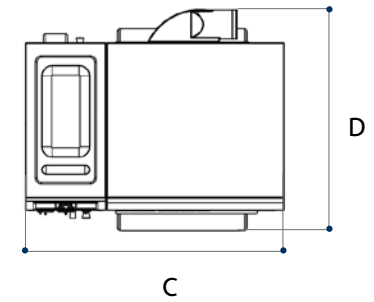
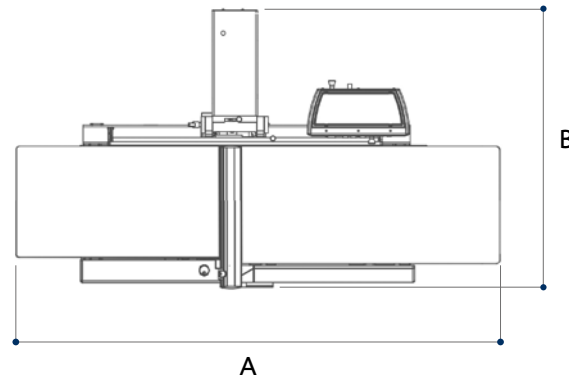
**Thickening table with idle rollers**  
It enables the feeding of moist and/or resinous wood. Particularly suitable for heavy duty woodworking operations and with rough work-pieces.



**Special rollers**  
The sectioned steel roller (a) and the dual-density rubber roller (b) allow the simultaneous processing of different thicknesses giving great results even with minimum removal. With the dual-density rubber roller, the edges are not damaged even when the work-pieces are not perfectly aligned. Suitable also for upgraded woods and/or thin thicknesses.



# planers technical data



S Standard  
O Option

TECHNICAL DATA		class f 520	class f 410	class s 630	class s 520
Working width	mm	520	410	630	520
Cutterblock diameter/standard knives	mm/n.	120/4	120/4	120/4	120/4
Standard knives dimensions	mm	35 x 3 x 520	35 x 3 x 410	35 x 3 x 640	35 x 3 x 520
Max. stock removal	mm	8	8	8	8
Total worktable length	mm	2750	2610	-	-
Thickening table dimensions	mm	-	-	640 x 1000	530 x 900
Feed speed on thickener	m/min	-	-	4 ÷ 20	4 ÷ 20
Min. ÷ max. working height on thickener	mm	-	-	3,5 ÷ 300	3,5 ÷ 300
<b>other technical features</b>					
Three-phase motors 5 kW (6,6 hp) 50 Hz - 6 kW (8 hp) 60 Hz		S	S	-	-
Three-phase motors 7 kW (9,5 hp) 50 Hz - 8 kW (11 hp) 60 Hz		-	-	S	S
Three-phase motor 9 kW (12 hp) 50 Hz - 11 kW (15 hp) 60 Hz		-	-	O	O
Exhaust hood diameter	mm	120	120	150	150

<b>OVERALL DIMENSIONS</b>		class f 520	class f 410	class s 630	class s 520
A	mm	2750	2610	-	-
B	mm	1416	1155	-	-
C	mm	-	-	1280	1130
D	mm	-	-	1095	1017

<b>MAIN OPTIONAL DEVICES</b>	class f 520	class f 410	class s 630	class s 520
"Tersa" monoblock cutterblock	0	0	0	0
"Xylent" spiralknife cutterblock with 3 spiralknives	0	0	0	0
Maintenance case for "Xylent" spiralknife cutterblock	0	0	0	0
Additional overturning fence for the processing of thin work-pieces	0	0	-	-
"Smart Lifter" integrated protection	0	0	-	-
Worktable with 2 idle rollers	-	-	0	0
First front roller with rubber coating in place of the grooved steel one	-	-	0	0
First front sectioned steel roller in place of the grooved one	-	-	0	0
First front dual-density rubber roller in place of the grooved steel one	-	-	0	0
Outfeed steel rollers in place of the rubber-coated ones	-	-	0	0
Pneumatic pressure adjustment on the feeding rollers	-	-	0	0
Thicknessing table extension to be used in infeed or outfeed	-	-	0	0
Outfeed extension for the thicknessing table	-	-	0	0
Machine configuration for advanced materials machining	-	-	0	-